



ToonaKit For swing gates



The new generation Nice kit for swing gates. Installable anywhere, in harmony with the environment, thanks to the solar power kit Solemyo; easy remote control and management thanks to the Opera system.

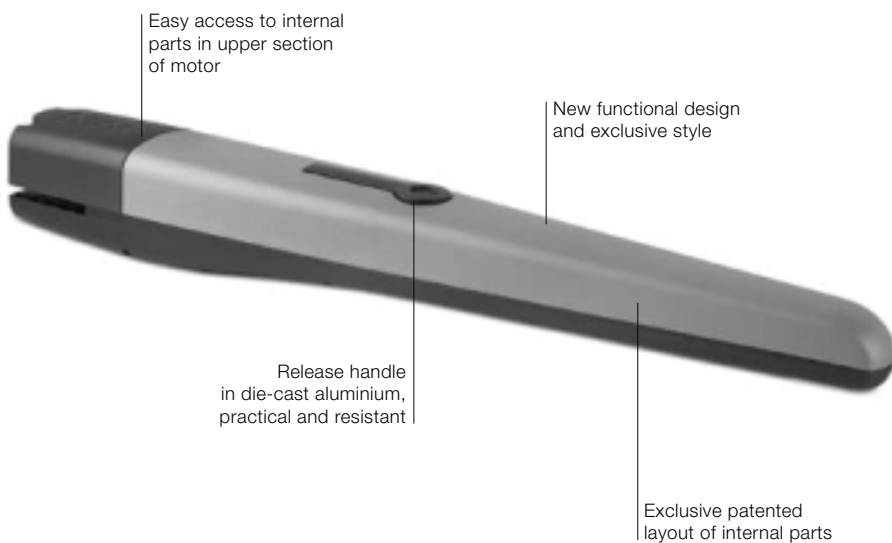


For swing gates with leafs up to 3 m, ideal for residential applications.

Electromechanical gearmotor for external mounting.
24 Vdc version with magnetic encoder.

New kit designed for use with the solar power system **Solemyo** and **Opera** system for the remote management, programming and diagnostics of automations, thanks to the new **control unit Moonclever (MC824H)** equipped with **Nice BlueBUS technology**.

TO4024



Gearmotor features:

- **New third generation model:** quality and durability thanks to the housing made up of two sturdy shells in aluminium with polyester paint finish, for increased resistance to atmospheric agents. Internal moving components entirely in steel, lightweight alloys and technopolymers.
- **Reliable and silent:** patented layout of internal components.
- **Lead nut in bronze** for strength and silent operation.
- **Generously sized and practical connections compartment:** simple and rapid access from top to internal parts located in the upper housing of the motor.
- **Ease of installation and maintenance.**
- **Positions and fixing brackets totally interchangeable** with the series Moby4000.

New control unit Moonclever MC824H for one or two 24 Vdc motors with magnetic encoder:

- provision for operation with Nice Opera system: connection via BusT4 cable with O-View multifunction display, to enable intuitive and simple settings of all automation parameters, facilitating set-up of systems to current standards, personalisation of functions according to specific requirements, constant monitoring of the automation thanks to the release of firmware updates;
- can be powered via the kit Solemyo;
- integrated Nice BlueBUS technology: for quick connection with just 2 wires of numerous safety, control and signalling devices (up to 12);
- compartment for housing the O-View multifunction display and PS324 optional batteries.
- simple programming of functions;
- memorisation of opening and closing limit positions in self-learning mode;
- automatic fault diagnostics during operation;
- pause time programming; pedestrian door; deceleration on opening and closing;
- obstacle detection with dual technology;
- provision for connection of latest generation resistive sensitive edges.

The kit contains:



TO4024 2 electromechanical irreversible gearmotors for external mounting. With mechanical stop on opening.

ON2 1 transmitter 433.92 MHz 2 channels. **MC824H** 1 control unit with plug-in receiver OXI.

MOFB 1 couple of external photocells designed for connection by Nice BlueBUS. **MOSE** 1 key selector switch for outdoor installation. **MLBT** 1 flashing light with built-in aerial. **TS** 1 signboard.

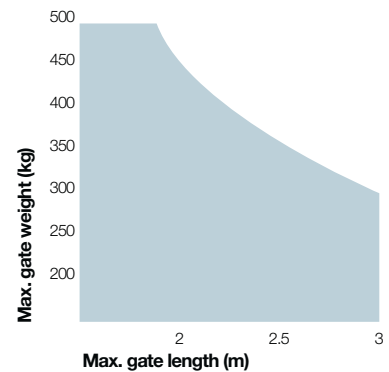
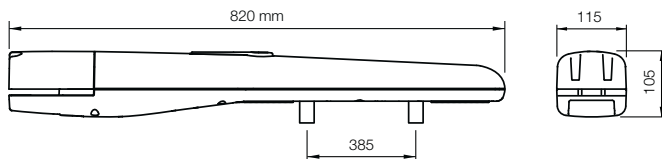
Technical specifications

Code	Description	Pcs./pallet
TOONA4024KCE	Kit for swing gates with leaves up to 3 m, surface mounted	12

Motor code	TO4024
Electrical specifications	
Power (Vdc)	24
Current absorbed (line) (A)	5
Power absorbed (W)	120
Performance data	
Speed (m/s)	0.016
Torque (N)	1800
Work cycle (cycle/hour)	95*
Dimensions and general data	
Protection level (IP)	44
Working temp. (C°)	-20 ÷ +50
Dimensions (mm)	820x115x105 h
Weight (kg)	6

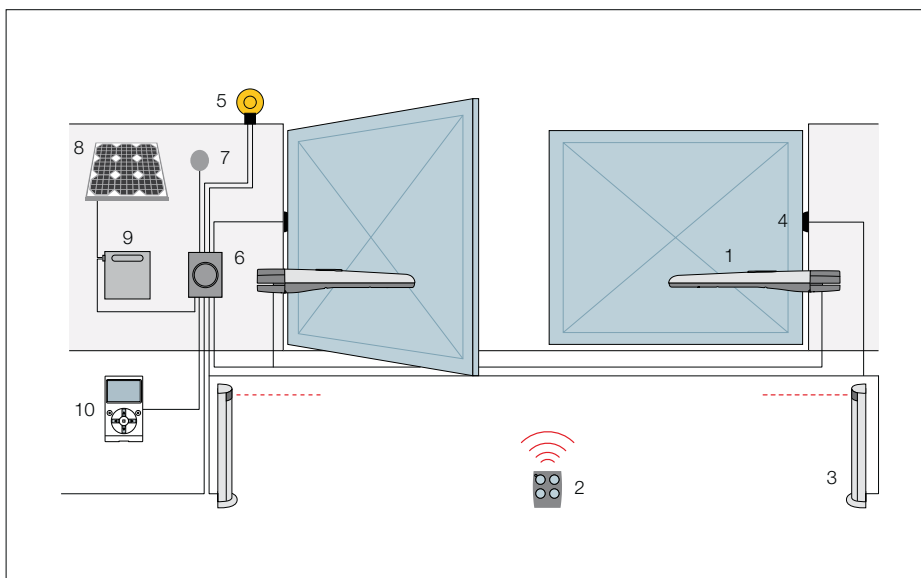
* with optimal installation.
For updated and complete information, consult the product technical manual.

Technical layout drawing and application limits



The shape, the height of the gate and the weather conditions can considerably reduce the values shown in the graph to the side.

Installation diagram



1. Toona
2. Transmitter
3. Photocells mounted on posts
4. Photocells
5. Flashing light with built-in aerial
6. Control unit
7. Digital or key switches
8. SYP* solar panel
9. PSY24* battery box
10. O-View* multifunction display.

*Optional connection to Solemyo and Opera systems.

Accessories



Code	Description	Pc/pack
PS324	24 V battery with integrated battery charger	1
PLA6	Rear bracket 250 mm long	1
PLA14	Screw-adjustable rear bracket	2
PLA15	Screw-adjustable front bracket	2
PLA10	Vertical 12 V electric lock (required for gates longer than 3 m)	1
PLA11	Horizontal 12 V electric lock (required for gates longer than 3 m)	1
PLA13	Mechanical travel stops for closing and opening manoeuvres	4

Nice recommends customers order products in pallets in order to facilitate storage and delivery, and ensure packs are uniform. The number of packs per single pallet has been specified for this reason.

Kit for Opera system and Solemyo solar power system



Code	Description	Pc/pack
OVIEW	Multifunction display for the control, programming and diagnostics of devices connected via BUS T4	1
OVBT	Bluetooth module for O-View and "O-View Software Suite" for PC, PDA or Smartphone	1
OVBTGSM	GSM module for O-View and "O-View Software Suite" for PC, PDA or Smartphone	1
OBOX	Connection interface complete with software "O-Box Software Suite", with USB connection cable supplied	1
OBOXB	Connection interface complete with software "O-Box Software Suite", with USB connection cable and integrated Bluetooth module	1
SYKCE	Solar power kit comprising SYP photovoltaic panel and PSY24 battery box with charging control circuit	1
SYA1	Power supply unit for charging the battery via the mains PSY24	1



Nice for you

Nice constantly researches the most advanced solutions for improving the quality of life by simplifying everyday movements. The key factors to Nice's success are: technological innovation and product design; strong and proven international focus, a capacity for expansion abroad; flexible and efficient business model.



Solemyo

The solar power kit Solemyo to automate gates, garage doors or road barriers, without the need for costly and invasive excavation work.



Opera

The innovative Opera System enables the installer to manage, program and control automation systems, also remotely, simply and safely, with significant savings in time.



Nice SpA
 Oderzo TV Italia
 Ph. +39.0422.85.38.38
 Fax +39.0422.85.35.85
 info@niceforyou.com

www.niceforyou.com

The information shown in this publication is purely indicative. Nice reserves the right to make any modifications to the products as it sees fit.